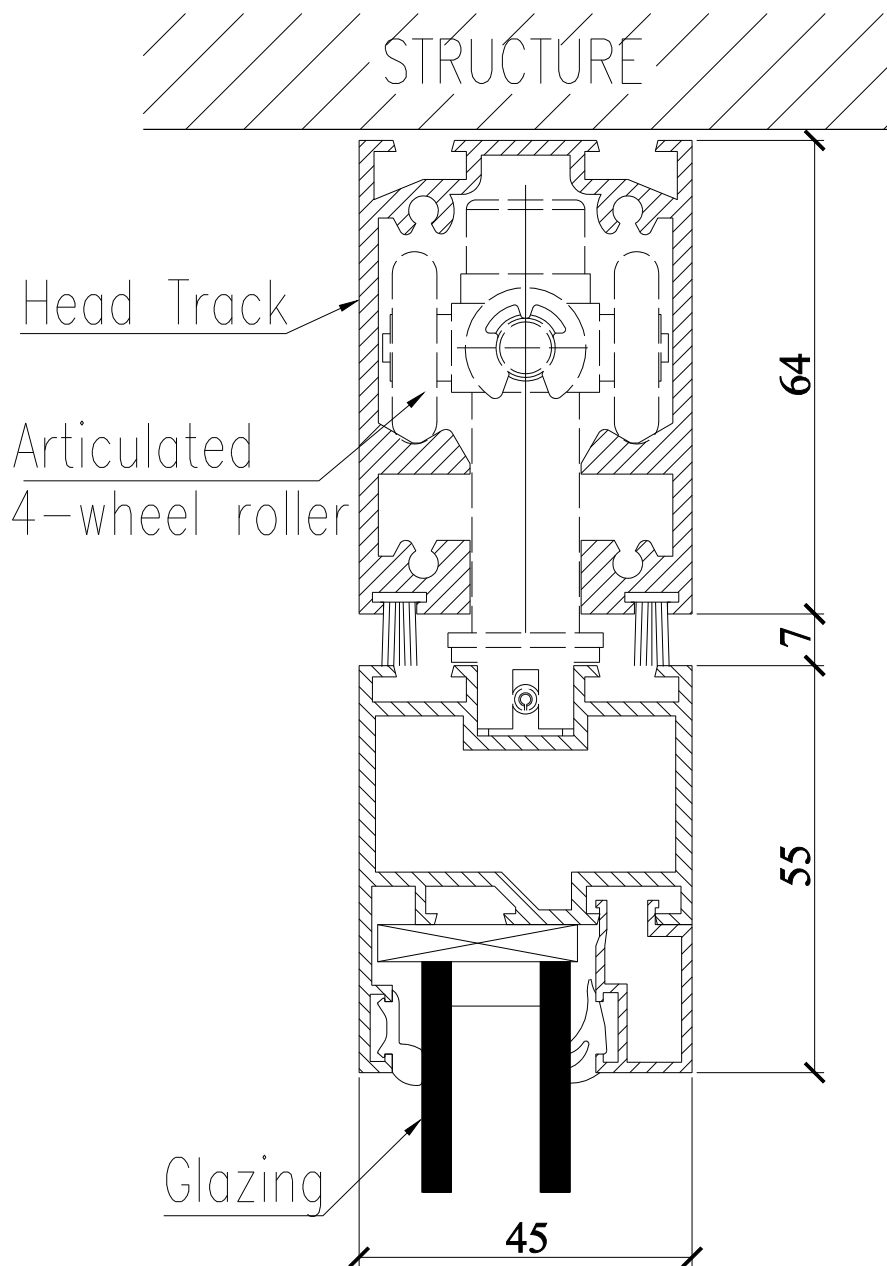


Brockhouse Series 920 ~ Aluminium

External Quality Glazed Sliding Folding Screen
Non-Thermally Broken

Detail H-1



Brockhouse Modernfold Ltd
Kay One, 23 The Tything
Worcester, WR1 1HD
Tel: 01905 330055 Fax: 01905 330234
Email: sales@brockhouse.net

SYSTEM : SERIES 920

TITLE : HEAD DETAIL - TOP HUNG

© ALL DIMENSIONS IN MILLIMETRES - DO NOT SCALE

REV & DATE

A

DRAWN BY

CE - SEPT 04

DRAWING REF:

920.3